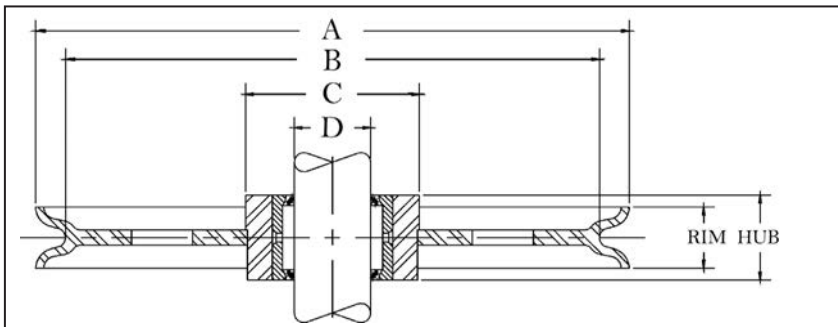


McKissick® Bronze Bushed Sheaves

"A" Nominal Outside Diameter (in.)	Stock Number	Wire Line Size (in.)	"D" Shaft Size (in.)	Hub Width (in.)	Rim Width (in.)	"C" Nominal Hub Outside Diameter (in.)	"B" Nominal Tread Diameter (in.)	Material	Approx. Weight (lbs.)
24	4105382	1	5-1/2	2-7/8	2-5/8	8	21-1/8	R.F.	130
24	4100868	1-1/8	4	3	2-3/4	6-1/2	20-1/16	R.F.	110
24	4105391	1-1/8	5-1/2	2-7/8	2-5/8	8	20-1/16	R.F.	134
24	4105373	1-1/8	5-3/4	3-3/8	3-1/8	8	20-1/16	R.F.	137
30	4105426	7/8	5-3/4	3-3/8	3-1/8	8	27	R.F.	203
30	4101215	7/8	6	3-1/2	3-1/8	8	27	R.F.	140
30	4105435	1	5-3/4	3-3/8	3-1/8	8	27	R.F.	203
30	4105453	1	7	3-1/2	3-1/8	9-1/2	27	R.F.	211
30	4105444	1-1/8	5-3/4	3-3/8	3-1/8	8	27	R.F.	203
30	4105462	1-1/8	7	3-1/2	3-1/8	9-1/2	26-3/8	R.F.	211
30	4105471	1-1/4	7	3-1/2	3-1/8	9-1/2	26-3/8	R.F.	211

Material: B.S.=Bar Steel, C.I.=Cast Iron, F.S.=Forged Steel, D.I.=Ductile Iron, C.S.=Cast Steel, P.M.=Powdered Metal, R.F.=Roll-Forged.

McKissick® Roller Bearing Sheaves



McKissick Sheaves

Roller Bearing Sheaves

- Roll-Forged sheaves are available in sizes up to 78" in diameter.
- McKissick® Roller Bearing Sheaves are designed to operate on shafts carburized to 60 Rockwell C and groove to +/- .0005 of the indicated shaft size. Some sizes are available with an optional inner race. Check with Crosby Sales for prices and correct shaft size.
- Application should provide for 1/32" running clearance over the hub width.
- For sizes not listed, McKissick Finished Bore Sheaves can be equipped with Roller Bearings at an optional charge.

"A" Nominal Outside Diameter (in.)	Stock Number	Wire Line Size (in.)	"D" Shaft Size (in.)	Hub Width (in.)	Rim Width (in.)	"C" Nominal Hub Outside Diameter (in.)	"B" Nominal Tread Diameter (in.)	Material	Approx. Weight (lbs.)
4	472508	1/8	.997	1	7/8	2	3-1/8	B.S.	2.00
4	472517	1/4	.997	1	7/8	2	3-1/8	B.S.	2.00
4	472535	3/8	.997	1	7/8	2	3-1/8	B.S.	2.00
4	2025893	3/8	.997	1-1/2	1-3/8	2	3	F.S.	3.50
4	2028063	1/2	.997	1-1/2	1-3/8	2	3	F.S.	3.50
4	2025891	5/8	.997	1-1/2	1-3/8	2	3	F.S.	3.50
4-7/8	472768	3/8	1.247	1-1/4	1-1/8	2-1/4	4-1/16	F.S.	3.60
4-7/8	472777	1/2	1.247	1-1/4	1-1/8	2-1/4	4-1/16	F.S.	3.60
4-7/8	472786	5/8	1.247	1-1/4	1-1/8	2-1/4	4-1/16	F.S.	3.60
5-1/4	2026427	5/8	.997	1-1/2	1-3/8	2-1/16	3-7/8	F.S.	4.00
5-1/4	2026423	3/4	.997	1-1/2	1-3/8	2-1/16	3-7/8	F.S.	4.00
5-7/8	2023141	5/8	1.497	1-3/4	1-5/8	2-1/2	4-3/8	F.S.	6.00
5-7/8	2023143	3/4	1.497	1-3/4	1-5/8	2-1/2	4-3/8	F.S.	6.00
5-7/8	2023142	7/8	1.497	1-3/4	1-5/8	2-1/2	4-3/8	F.S.	6.00

McKissick® Roll-Forged sheaves highlighted above in bold italic are available with reduced lead times due to our advanced manufacturing process.

* Without Flame Harden groove.