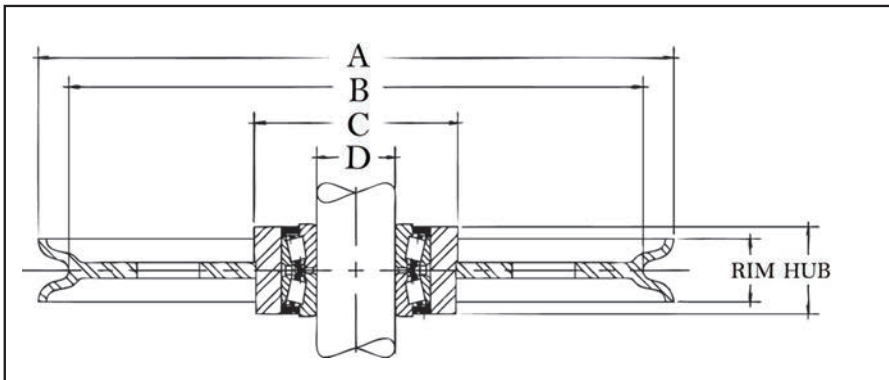


McKissick® Tapered Bearing Sheaves



Tapered Bearing Sheaves

- Roll-Forged sheaves are available in sizes up to 78" in diameter.
- Tapered Bearing Sheaves are designed to operate on shafts machined to +/- .0005 of the indicated shaft size.
- Applications should provide for tightening separator plates against bearing cones to adjust and insure proper function of bearing.
- For sizes not listed, McKissick® Finished Bore Sheaves can be equipped with tapered bearing at an optional charge.

"A" Nominal Outside Diameter (in.)	Stock Number	Wire Line Size (in.)	"D" Shaft Size (in.)	Hub Width (in.)	Rim Width (in.)	"C" Nominal Hub Outside Diameter (in.)	"B" Nominal Tread Diameter (in.)	Material	Approx. Weight (lbs.)
4-7/8	480269	3/8	.749	1-3/8	1-1/8	2-1/4	4-1/16	F.S.	3.60
7	480777	1/4	.749	1-3/8	3/4	2-3/8	6-1/4	B.S.	9.00
8	481017	1/2	.749	1-3/8	1-1/4	2-7/16	6-5/8	F.S.	7.00
8-1/2	481044	3/8	.749	1-3/8	1	2-3/4	7-1/2	D.I.	7.50
9-3/4	481295	3/8	1.499	2-5/16	1	3-3/4	8-3/4	F.S.	11.20
11-7/8	481552	1/4	1.499	2-5/16	1	3-3/4	10-3/4	D.I.	12.0
12	481455	3/4	1.499	2-5/16	2-3/16	4-1/2	9-3/4	R.F.	24.0
12	481446	7/8	1.499	2-5/16	2-3/16	4-1/2	10-1/4	R.F.	24.0
16	4302793	1/2	1.998	2-15/16	2-1/2	5-3/4	14-1/4	R.F.	50.0
16	4300599	3/4	1.998	2-15/16	2-1/2	5-3/4	13-3/8	R.F.	55.0
16	4300018	7/8	1.499	2-5/16	2-3/16	4-1/2	12-15/16	R.F.	37.0
16	4300054	1	1.998	2-15/16	2-1/2	5-3/4	13-3/8	R.F.	42.0
18	4300081	3/4	1.998	2-15/16	2-3/16	6-1/2	16	R.F.	40.0
20	*4302524	5/16	1.998	2-15/16	1-3/8	5-3/4	18-7/8	R.F.	54.0
20	4300161	3/4	1.998	2-15/16	2-1/8	6-1/2	18	R.F.	87.0
20	4300189	1	1.998	2-15/16	2-1/8	6-1/2	16-1/2	R.F.	84.0
24	4301721	9/16	4.248	3-1/2	3-1/8	8	22	R.F.	125
24	*4302720	5/8	2.755	2-15/16	1-1/2	6-1/2	21-3/4	R.F.	136
24	4300312	7/8	4.248	3-1/2	3-1/8	8	20-7/8	R.F.	125
24	4300321	1	4.248	3-1/2	3-1/8	7-5/8	21-1/8	R.F.	125
24	4300401	1-1/8	2.755	2-15/16	2-3/4	6-1/2	20-1/16	R.F.	80.0
24	4300330	1-1/8	4.248	3-1/2	3-1/8	8	20-1/16	R.F.	125
24	4300269	1-1/2	4.248	3-1/2	3-1/8	8-1/4	20	R.F.	125
30	4300483	7/8	4.248	3-1/2	3-1/8	8	27	R.F.	140
30	4300492	1	4.248	3-1/2	3-1/8	7-5/8	26.5	R.F.	210
30	4300526	1	5.624	3-11/16	3-1/8	9-1/2	27	R.F.	190
30	4300508	1-1/8	4.248	3-1/2	3-1/8	8	27	R.F.	140
30	4300535	1-1/8	5.624	3-11/16	3-1/8	9-1/2	26-3/8	R.F.	140
30	4300704	1-1/4	5.624	3-11/16	3-1/8	9-1/2	26-3/8	R.F.	140

* Without Flame Harden groove.

Material: B.S.=Bar Steel, C.I.=Cast Iron, F.S.=Forged Steel, D.I.=Ductile Iron, C.S.=Cast Steel, P.M.=Powdered Metal, R.F.=RollForged.
McKissick® Roll-Forged sheaves highlighted above in bold italic are available with reduced lead times due to our advanced manufacturing process.

Custom sheaves are available. See page 287 for ordering details.